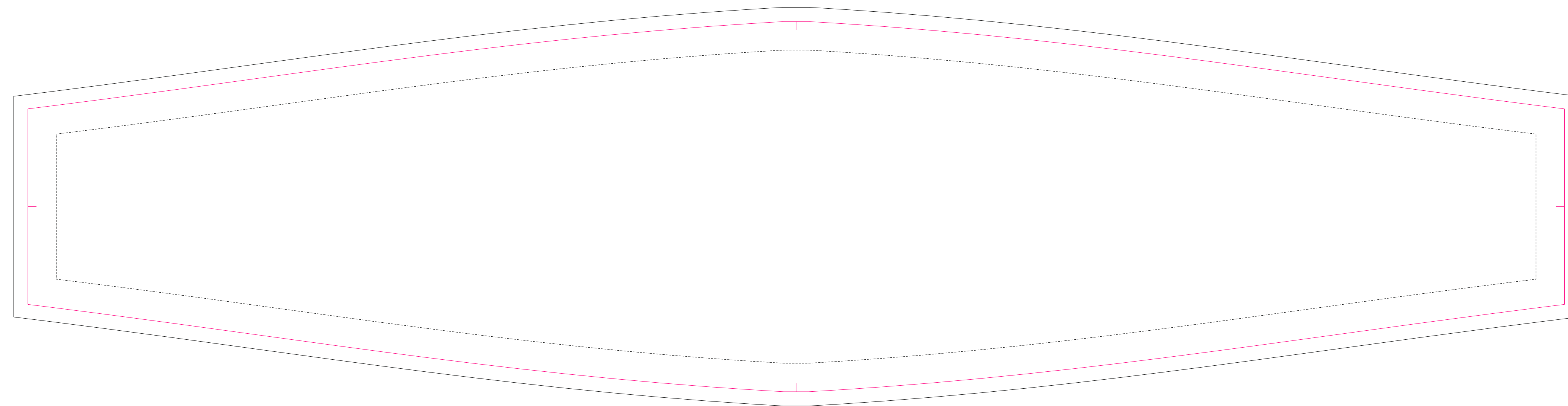
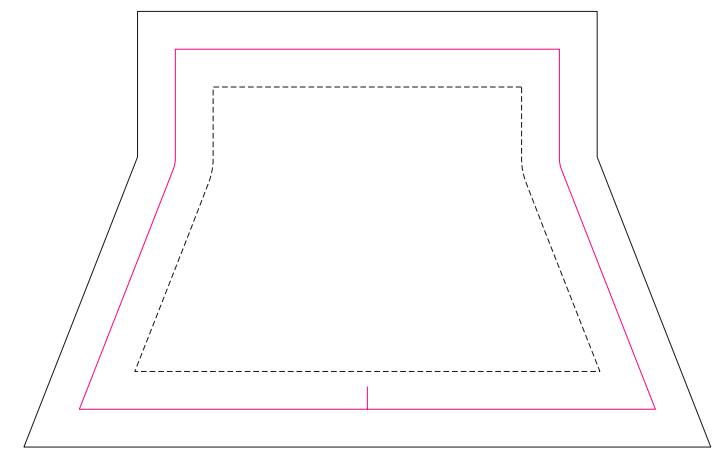
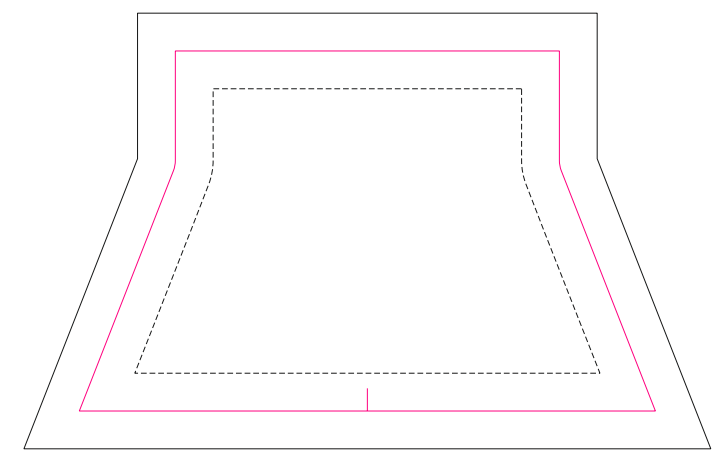
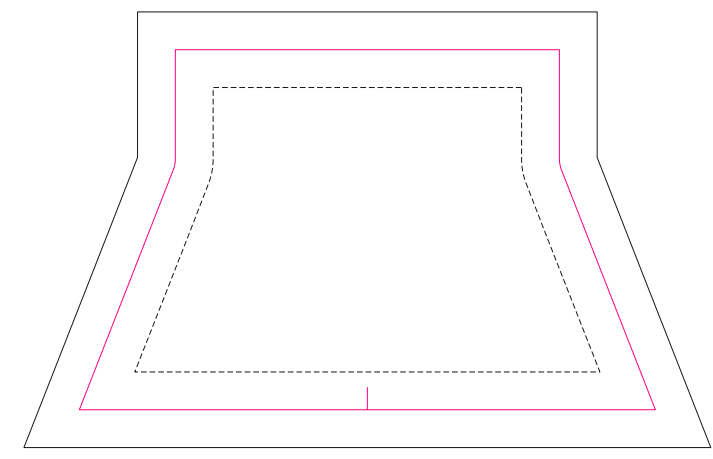
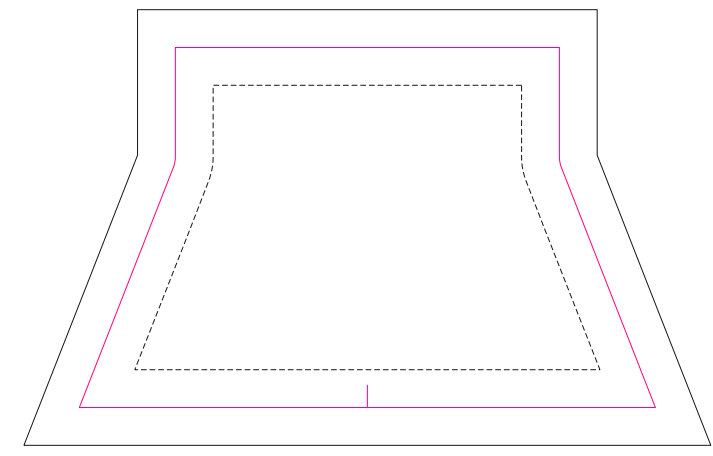
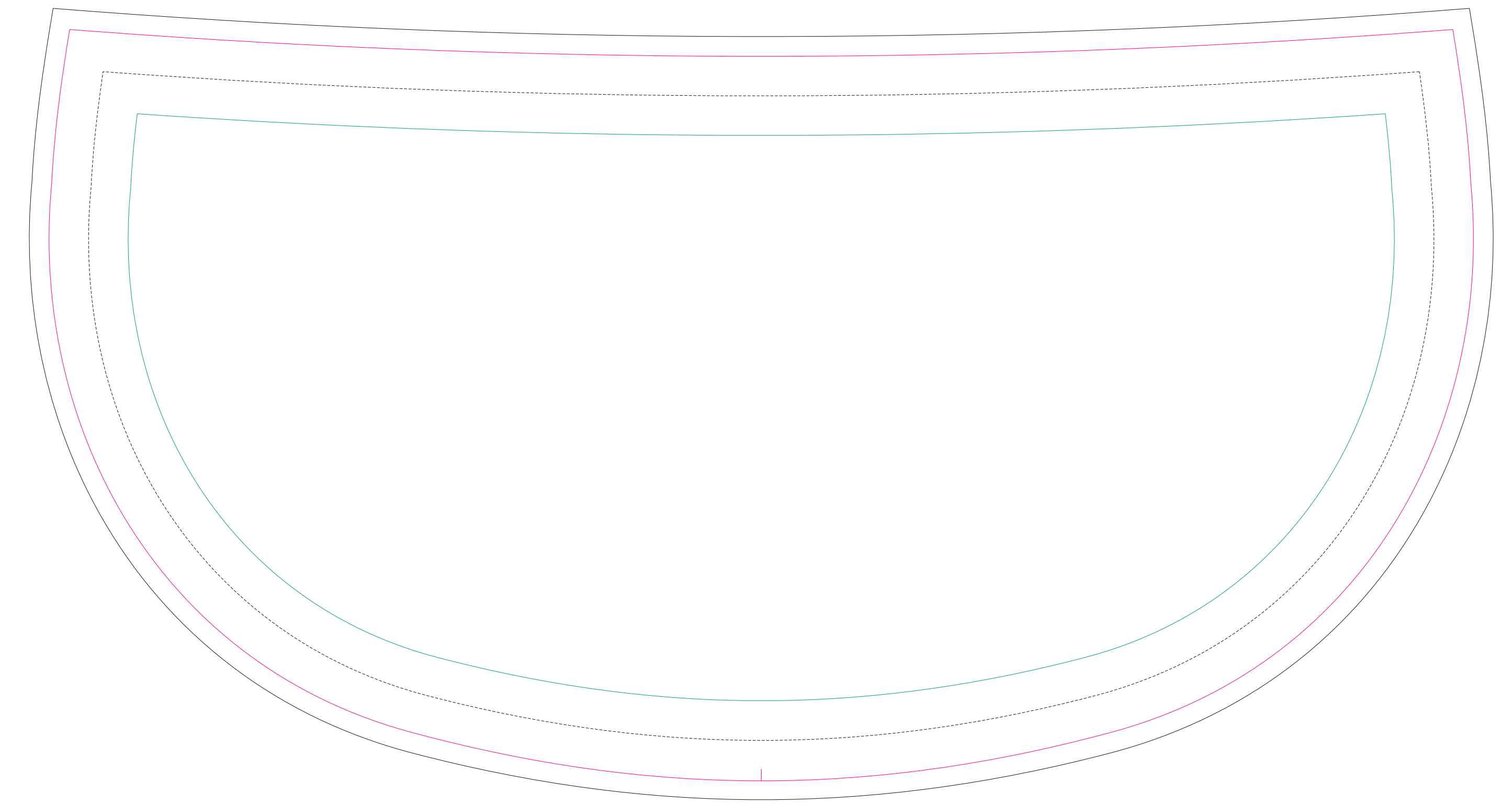
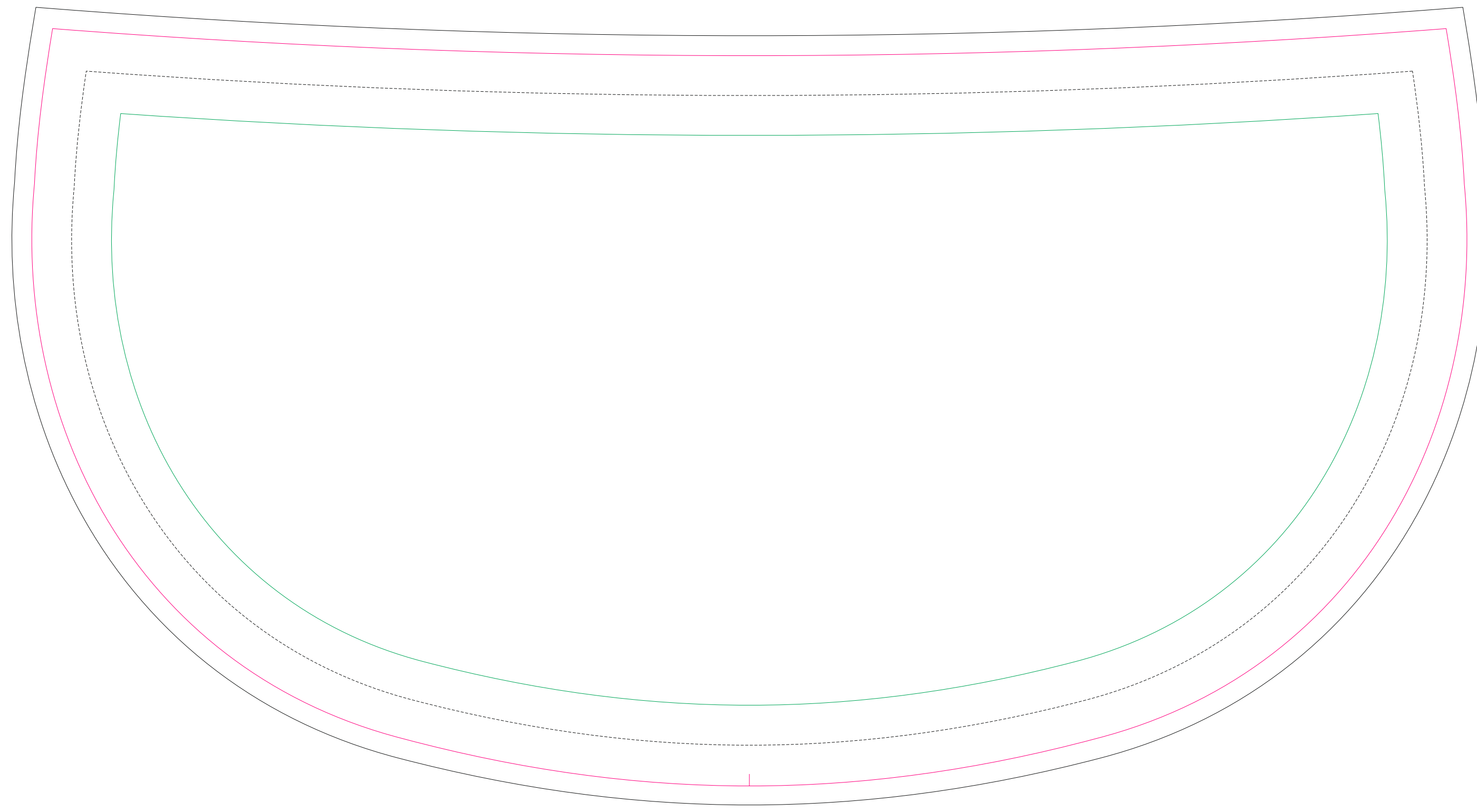


FRONT

BACK



BOTTOM

- Margin
- Edge of product
- Bleed limit 10-10 mm (background must fill it)
- - - Seam

resolution: min. 300 DPI  
 colours: CMYK  
 formats: TIFF, PDF, EPS, AI, CDR

The green line indicates the area all non-background object-texts, logos, etc.  
 The pink outline the maximum size of graphic visible on the product.  
 The black line indicates the size of the required graphics including bleed.  
 The dash line indicates the point of the seam.

