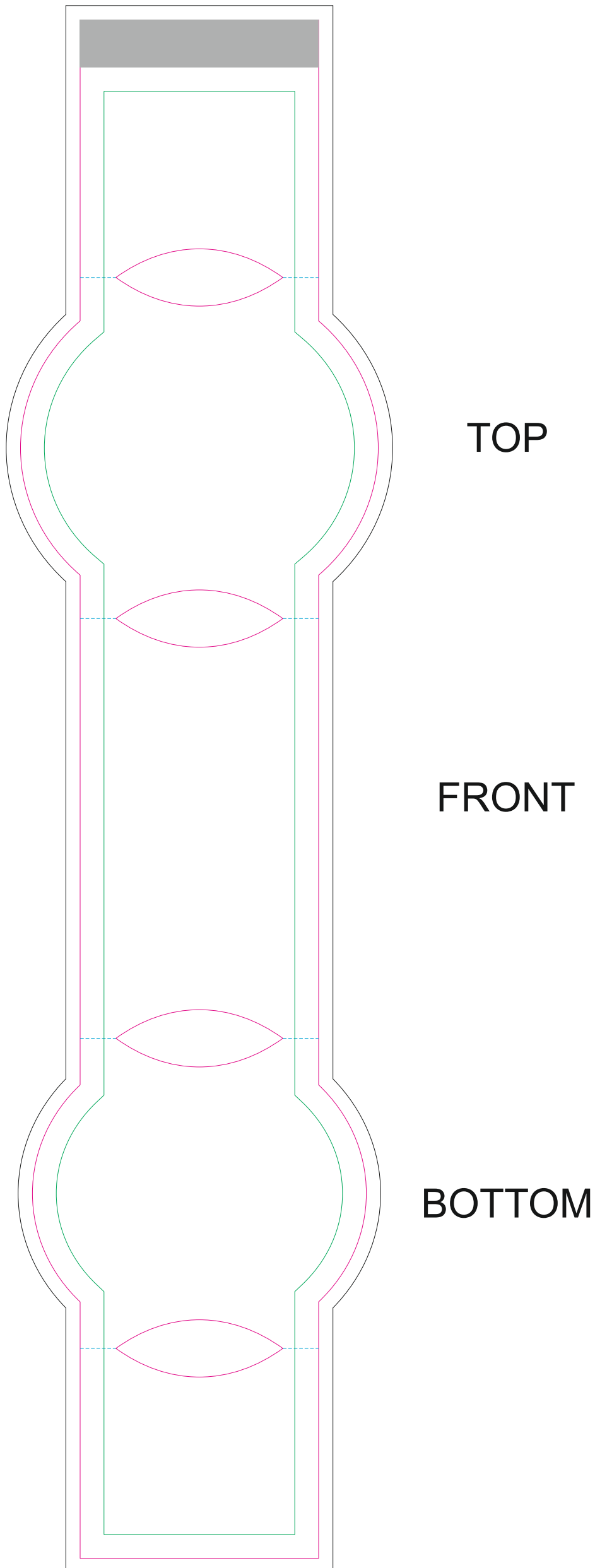


PAPER RING



- Margin
- Edge of product
- Bleed limit 3-3 mm (background must fill it)
- - - - Fold line

resolution: min. 300 DPI
colours: CMYK
formats: TIFF, PDF, EPS, AI, CDR

The green line indicates the area all non-background object-texts, logos, etc.
The pink outline the maximum size of graphic visible on the product.
The black line indicates the size of the required graphics including bleed.
The blue line indicates the folding.